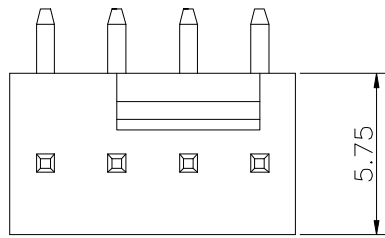
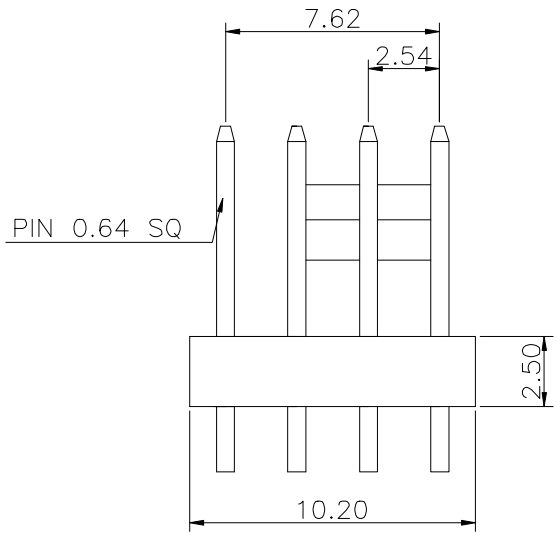


1 | 2 | 3 | 4 | 5 | 6 | 7 | 8 | 9

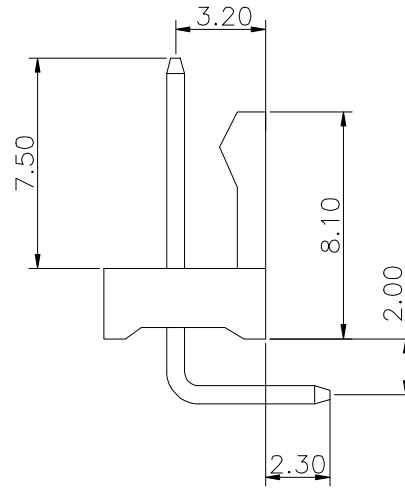
F



E



D



C

Current Rating: 2.5A AC/DC
 Voltage Rating: 250V AC/DC
 Current Resistance: 20mΩ Max
 Insulation Resistance: 1000MΩ Min
 Withstanding Voltage: 1000V AC/minute

Materials
 Contact Material: Brass
 Contact plating: Tin-Plated
 Insulator Material: Thermoplastic NY66 UL94V-2
 or the equivalent material
 All materials must meet Greenconn
 hazardous substances control standards.

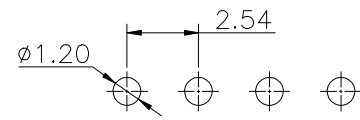
B

Ordering Information

G WHB112 - 04 XX A 002 E 2 Z X

No. of Pins per Row: 04
 Standard Plating: 01=Tin
 Color: 2=White
 Standard Packing: N=PE Bag

Recommended P.C.Board
 Layout
 (Tolerance: ±0.05)



A

格菱股份有限公司 Greenconn Corporation			GENERAL TOLERANCE		DESIGNED:	DATE:	DWG. NO. GWHB112-CA2EZ	TITLE. 2.54mm 90° WAFER
			X: ±5.0°	X: ±0.30				
REV.	UNIT.	SCALE.	PAGE.	.XX' ±2.0°	.XX ±0.15	CO SIGEND:	DATE:	PART NO. GWHB112-04XX A002E2ZX-9B
01	mm	4:1	1/1					

1 | 2 | 3 | 4 | 5 | 6 | 7 | 8 | 9