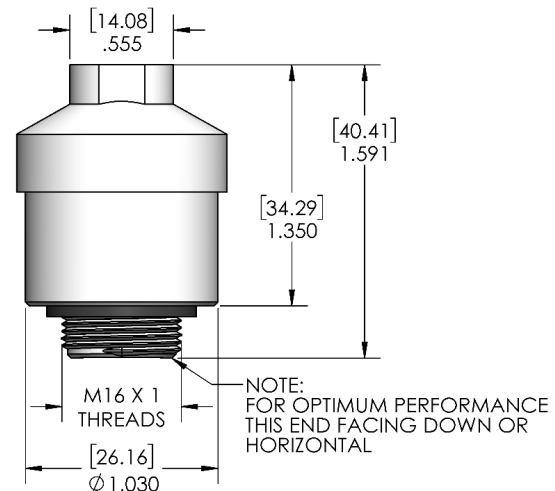
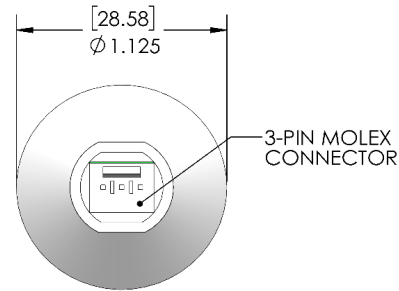


Analytical Industries Inc.

2855 Metropolitan Place, Pomona, CA 91767 USA ♦ Tel: 909-392-6900, Fax: 909-392-6900, e-mail: sales-medical@aii1.com, Website: www.aii1.com

Oxygen Sensor Model **PSR-11-917-MH1**

Measuring Range	0-100% O ₂
Signal Output (1)	9-13 mV
Response Time 90%	4 Seconds
Accuracy Full Scale (2)	± 1%
Accuracy FS Over Operating Range (3)	± 5%
Drift % Signal Month (2)	< 1%
Linearity (2)	± 1%
Humidity Non-Condensing	0-99% RH
Temperature Coefficient	Compensated
Operating Temperature	0-45° C
Operating Pressure	Constant 5-30 PSIG
Flow Rate	.1-10 LPM
Expected Life (1)	60 Months
Storage (4)	0 to 40°C
Warranty (5)	14 Months
Electrical Connections	3 Pin Molex
Packaging	Polyethylene bag in 3" x 3" x 1.5" paper box
Recommended Storage	< 6 months



- (1) In air @ 25° C and 1 atm. Expected life varies inversely with changes in O₂ concentration, temperature, pressure.
- (2) Under constant conditions. Calibrate as near sample conditions as possible. Calibrate with 95-100% oxygen for measurements > 40% oxygen.
- (3) Once the signal output stabilizes following a step change in temperature.
- (4) Recommended 0-40° C. Sensors may be stored at -10 to 55° C on an intermittent basis only.
- (5) Ex-factory unless agreed to in writing. Under normal application conditions sensor is warranted to be free of defects in material and workmanship for the period specified above provided the sensor is properly installed and operated. Analytical Industries Inc. shall not be liable for buyer's negligence, misapplication, alteration or abuse. The sole remedy for a sensor determined to be defective by Analytical Industries Inc. is limited to replacing the defective sensor.